

Original BMW Accessories.

Installation Instructions.



M Performance silencer retrofit kit.

BMW 1 Series 5-door (F20 M140i B58)

BMW 1 Series 3-door (F21 M140i B58)

BMW 2 Series Coupé (F22 M240i B58)

BMW 2 Series Convertible (F23 M240i B58)

BMW 3 Series Saloon (F30 340i B58)

BMW 3 Series Touring (F31 340i B58)

BMW 4 Series Coupé (F32 440i B58)

BMW 4 Series Convertible (F33 440i B58)

BMW 4 Series Gran Coupé (F36 440i B58)

Retrofit kit number

18 30 2 406 953	M Performance silencer (F3x, automatic transmission only)
18 30 2 425 908	M Performance silencer (F20, F21, automatic transmission only)
18 30 2 424 608	M Performance silencer (F22, F23, automatic transmission only)

Installation time

The installation time is **approx. 0.5 hours**. This may vary depending on the condition of the vehicle and the equipment in it.

The installation time shown does not include any time spent on programming/coding.

The calculation of the total costs for the programming time must be factored into the calculation of retrofitting costs (no invoicing via warranty).

Important information

These installation instructions are primarily designed for use within the BMW dealership organisation and by authorised BMW service companies.

These installation instructions are intended for use by qualified specialist staff trained on BMW vehicles with the relevant expert knowledge.

All work must be completed using the latest BMW repair manuals, wiring diagrams, servicing manuals and work instructions, in a rational order, using the prescribed tools (special tools) and observing current health and safety regulations.

If you experience installation or function problems, restrict troubleshooting to approx. 0.5 hours for mechanical work and 1.0 hour for electrical work.

To avoid unnecessary extra work and/or costs, send an inquiry straight away to the technical parts support team via the Aftersales Assistance Portal (ASAP).

Quote the following information:

- Chassis number,
- Retrofit kit part number,
- A detailed description of the problem,
- and any work already carried out.

Do not archive the hard copy of these installation instructions since daily updates are provided via ASAP.

Pictograms



Denotes instructions that draw your attention to dangers.



Denotes instructions that draw your attention to special features.



Denotes the end of the instruction or other text.

Installation information

All pictures show LHD cars; proceed accordingly on RHD cars.

Special tools required

None

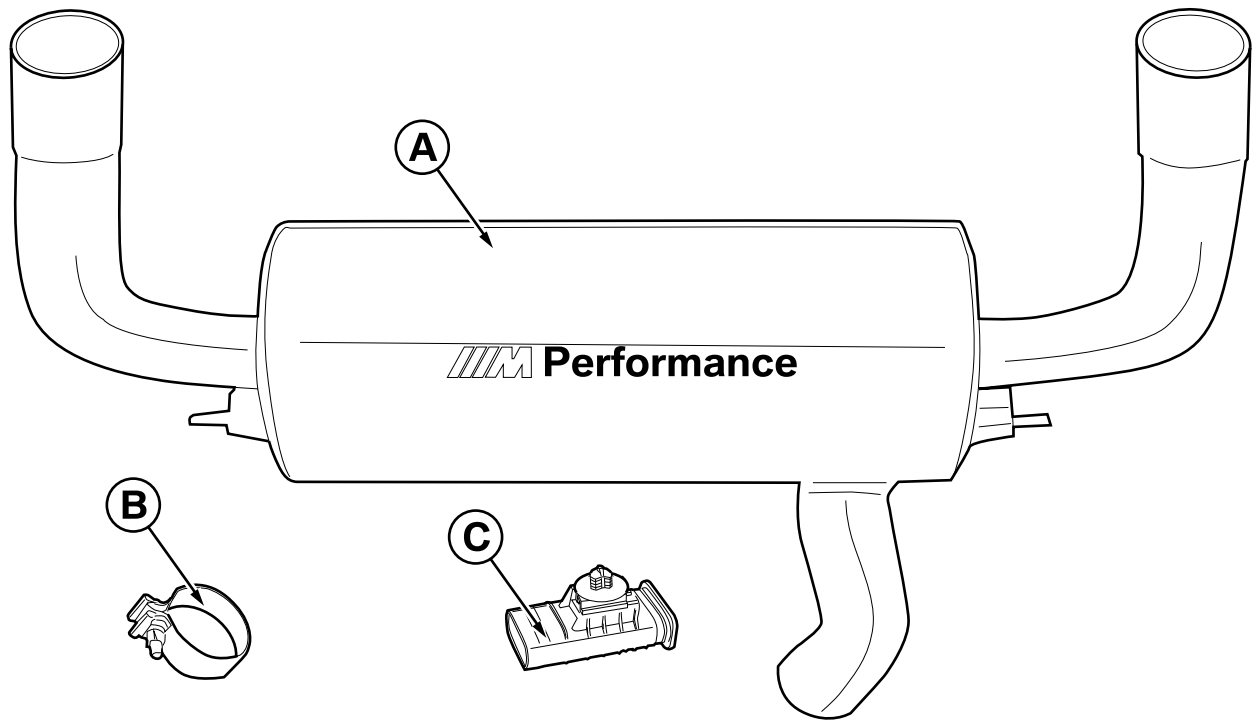
Table of contents

Section	Page
1. Preparatory work	4
2. M Performance silencer parts list	5
3. M Performance silencer installation	6
4. Concluding work and coding	8
5. Schablone F20 F22	9

1. Preparatory work

The following components must be removed first of all	ISTA No.
Remove the backing foil from the M Performance silencer and remove any adhesive residue using a suitable cleaning product.	None

2. M Performance silencer parts list

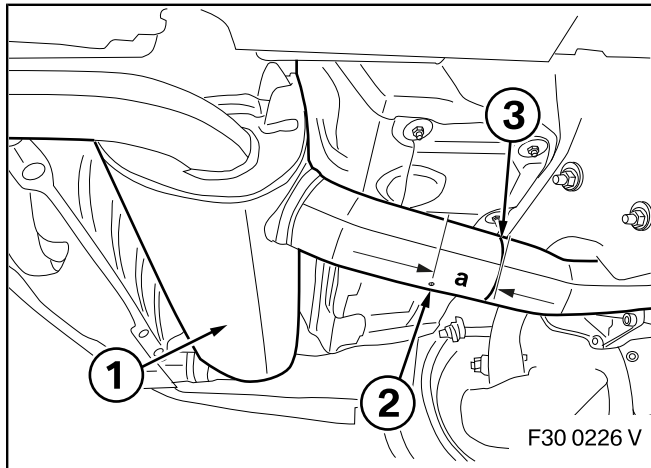


F30 0225 V

Legend

- A** M Performance silencer
- B** Torca clamp
- C** Dummy flap actuator

3. M Performance silencer installation



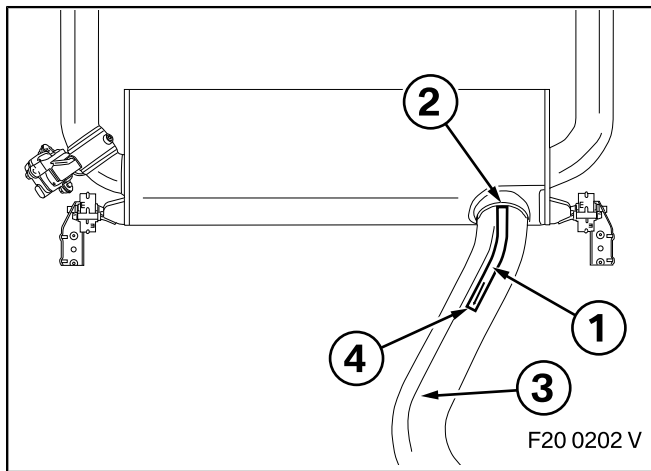
For all cars with countersink point

The standard exhaust system (1) has a countersink point (2). Measure a **distance a** from this countersink point (2) as shown towards the front of the car and make a mark (3) using a suitable tool.

F3x: Distance a = 55 mm

F20/F21: Distance a = 7.9 mm

F22/F23: Distance a = 6.5 mm



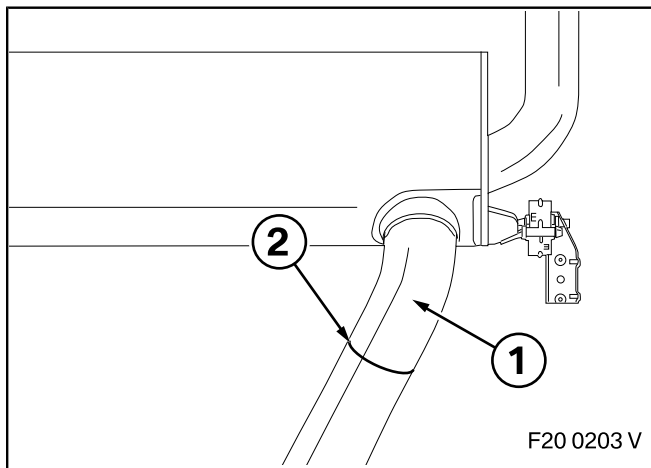
F2x cars without a countersink point only

☒ If there is no countersink point on the standard exhaust system, use the appropriate attached template for the car. ◀

Cut out the template (1).

Align the template (1) flush along the edge of the weld (2) and place it on the underside of the standard exhaust system (3) towards the front of the car.

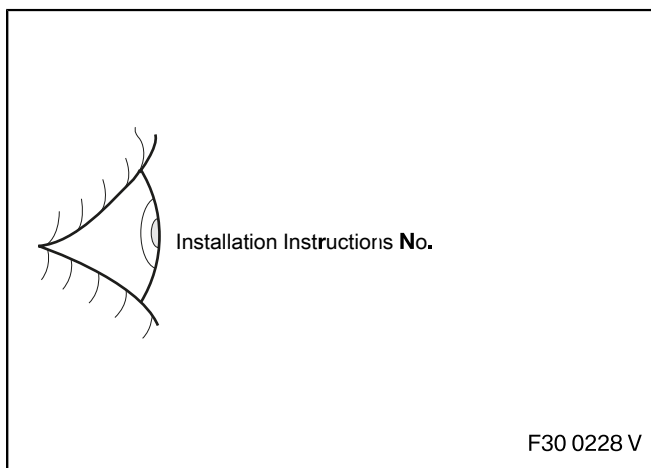
Make a mark (4) using a suitable tool.



For all cars

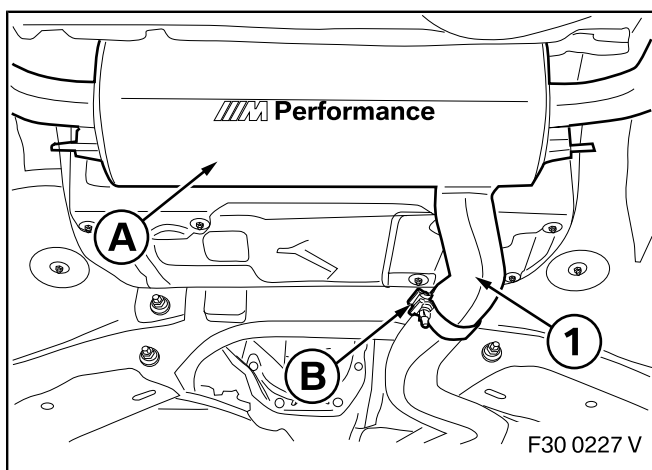
Cut the standard exhaust system (1) at the mark (2) you made earlier using a suitable tool, deburr it and treat it with conventional BMW products to protect it from corrosion.

Remove the standard exhaust system (1) from the car as described in **ISTA**.



Now fit the dummy flap actuator **C** as described in **Installation Instructions No. 01 29 2 412 923** to ensure easier accessibility.

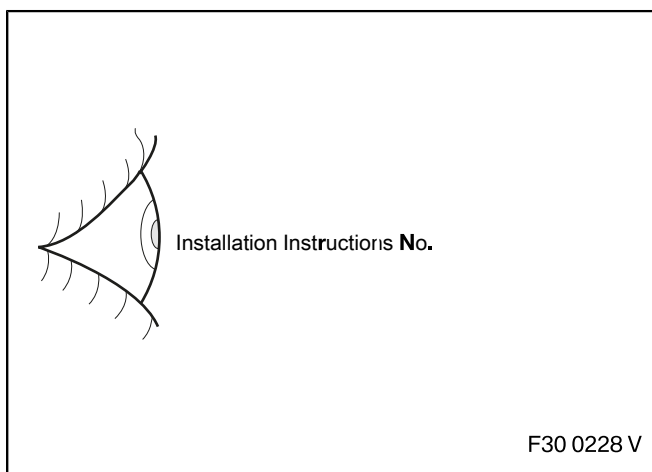
3. M Performance silencer installation



Push the Torca clamp **B** over the pipe (1) on the M Performance silencer **A**.

Install the M Performance silencer **A** on the car as described in **ISTA**.

Position the Torca clamp **B** over the ends as shown and secure it with a torque of **55 Nm**.

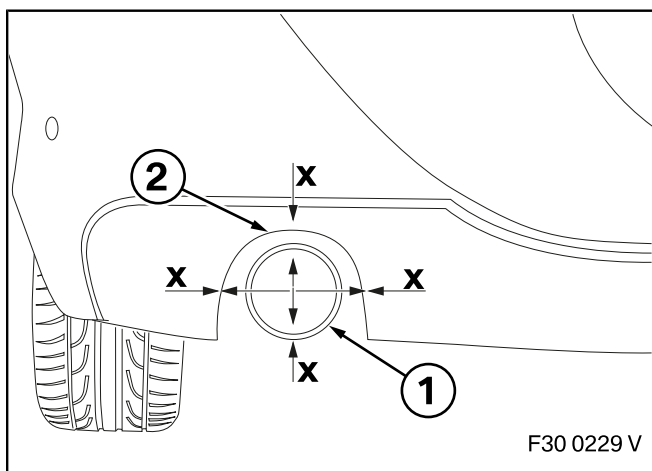


For F22 240i cars only

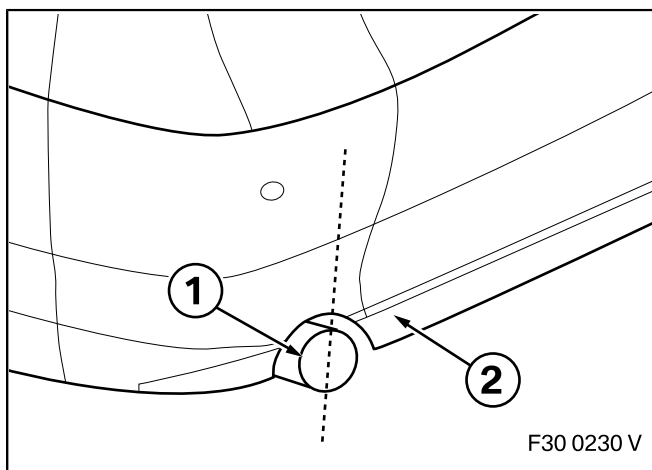
If an M Performance rear diffuser is installed the tailpipes must be cut and adapter pipes fitted as described in **Installation Instructions No. 01 29 2 343 366**.

For all cars

Install the tailpipe finishers as described in **Installation Instructions No. 01 29 2 287 618**.



Check the position of the tailpipe finisher (1) with the outline (2) of the rear apron, centring and aligning them if necessary.



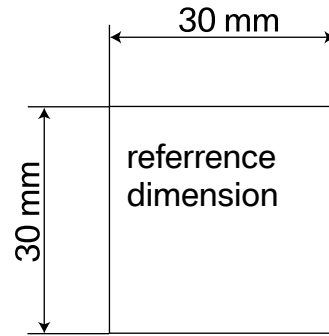
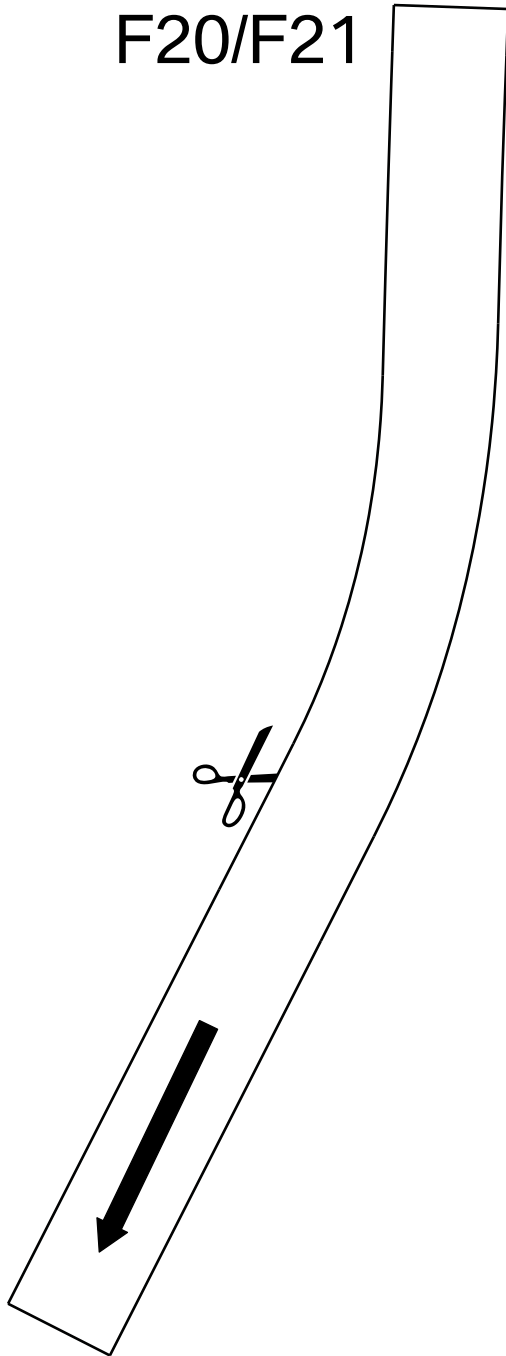
⚠ During installation and also during vehicle operation (thermal expansion of the exhaust system), care must be taken to ensure that the tailpipe finisher (1) does not extend beyond the rear apron (2) (danger of burning!). ◀

4. Concluding work and coding

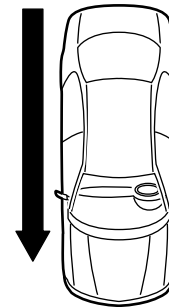
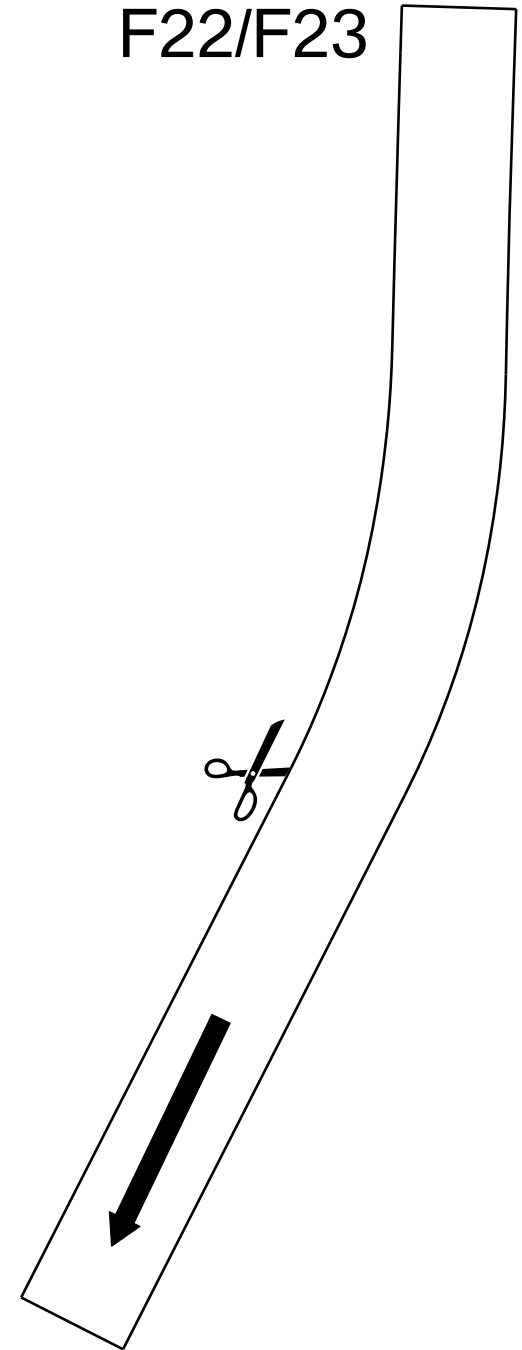
The retrofit system does not require programming/coding.

- Conduct a brief test (for leaks)

F20/F21



F22/F23



Print without scaling!

This page must be printed out in its original size (DIN A4); it must not be scaled!
When displaying the PDF in Windows, ensure the following setting is made:

**File -> Print -> Page Setup
-> Shrink oversized pages: None**